

STARKE **ARVID**

Instructions for Use

Fence Storage Frame



Dear Customer!

Thank you for choosing a STARKE ARVID® product.

We have more than 25 years of experience within the construction business. We develop, manufacture and sell equipment intended for professional material management. Starke Arvid's product assortment includes a total of 20 different products.

Browse in at www.starkearvid.se

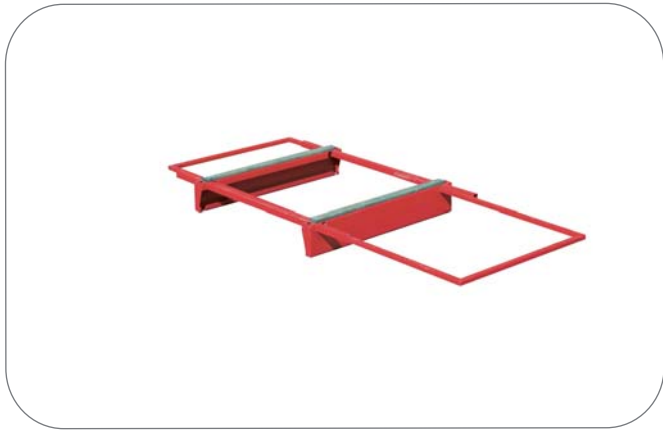
General use and safety regulations:

- Maximum load must not be exceeded.
- Distribute the load evenly on the frame.
- Use the necessary safety equipment.

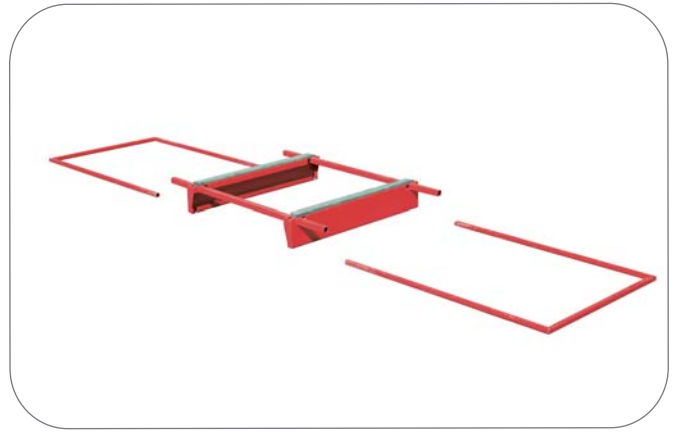
General maintenance and care instructions:

- Check all welding joints at least once a year.
- Remove any outer rust and coat with anti-corrosive paint..
- Replace worn parts.
- When unsure, contact Alia AB.





① Transport position



② Extend the hooks from the base area



③ Push in the hooks in the base area



④ Pre-assemble for use

Technical Data

Fence Storage Frame

Article no: 52350-10

Maximum load: 600 kg

Width: 1200 mm

Height: 1500 mm

Height, collapsible: 230 mm

Weight: 1600 mm

Service/Extra parts:

A number of retailers for STARKE ARVID® products are available for your basic security. If you have any questions regarding service or extra parts turn to you nearest retailer or directly to ALIA AB.

Gaurantee:

Under the condition that all instructions for use have been followed, we offer a one-year guarantee according to NL 01. The product may not be modified by the user.

*Produced and
marketed by:*

Alia AB
Box 93
SE-459 22 LJUNGSKILE

Phone: +46-(0)522 22 000
Fax: +46-(0)522 22 344

office@starkearvid.se
www.starkearvid.se