

# Starke Arvid Metal Carrier



The Starke Arvid Metal Carrier is designed to safely store and transport metal stud, channels, ceiling trims and pipework. The carrier allows materials to be stored off the floor minimizing trip hazards and damage. Also it can easily be moved as work progresses.

The Metal Carrier has six pairs of arms for storage. Each pair can hold up to 100 kg. The large front puncture proof wheels and all metal rear castors enable it to cope with site use as well as being maneuverable within buildings.

The metal carrier can be easily disassembled for storage and moving from project to project. Any damaged parts can be individually replaced rather than replacing the complete carrier.

## Product benefits

- Ideal for moving metal stud, pipework, timber studs, ducting etc.
- Stable chassis combined with both large and lockable swivel wheels
- Capable of carrying up to 500 kg uniformly loaded



Uniformly loaded the Metal Carrier will transport up to 500 kg of materials.



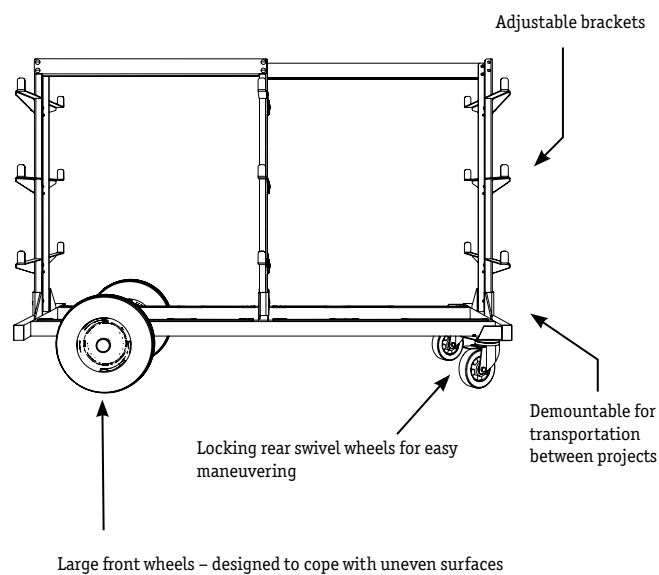
Keeps the workplace cleaner and safer by reducing the risk of slips and trips.



Optional storage boxes to transport screws, fixings and tools.

## Technical data

Art.no:	11800
Maximum load:	500 kg
Maximum load/shelf:	100 kg
Width:	745 mm
Length:	2055 mm
Height:	1390 mm
Weight:	89 kg
Wheels:	Solid rubber



Visit [www.starkearvid.co.uk](http://www.starkearvid.co.uk) to find out more about our product range.